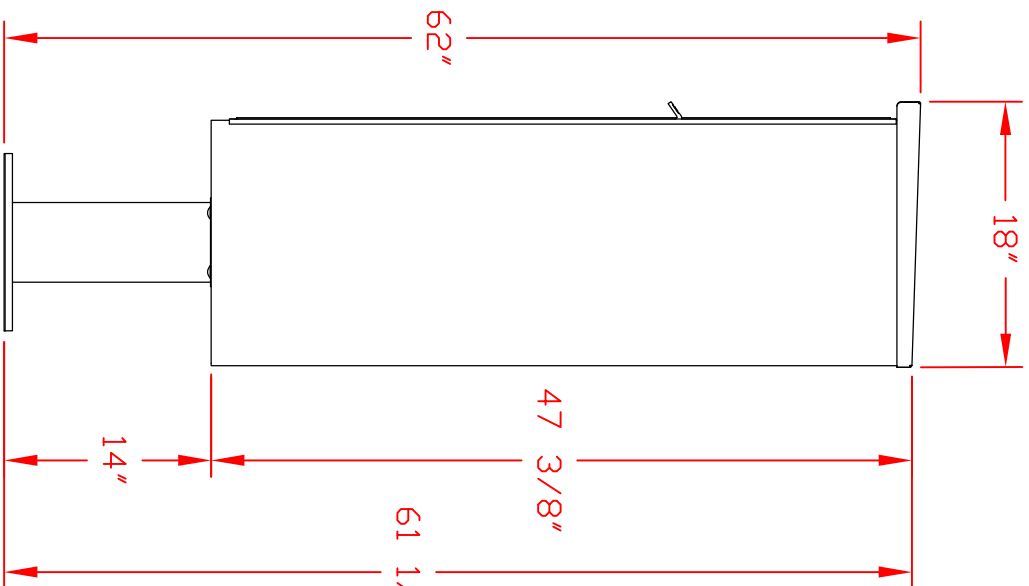
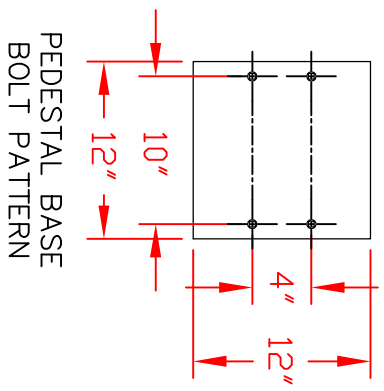
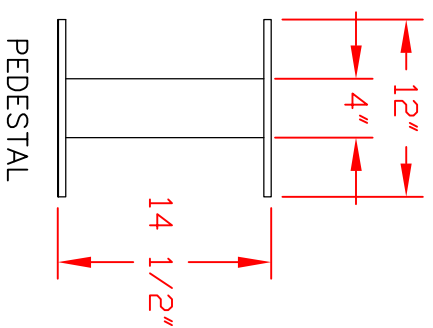


FRONT VIEW



SIDE VIEW



PEDESTAL BASE  
BOLT PATTERN

DOOR TYPE	DIMENSION (WIDTH X HEIGHT)
TENANT	12-13/16" X 3-3/8"
10' PARCEL	12-13/16" X 10-1/4"
13' PARCEL	12-13/16" X 13-3/4"
OUTGOING SLID	11-3/4" X 3/4"

Postal Products Unlimited, Inc.

500 W. Oklahoma Ave.

Milwaukee, WI 53207-2649

www.postalproducts.com

(800) 229-4500



Product: Cluster Box Unit - "F" Specification

Model: N1030306

Date: 7/11/14

Scale: NTS

Drawn By: JER

Checked By: POJ

- NOTES:
1. This unit is approved for USPS applications.
  2. Pedestal should be installed with included Rubber Pad; mounting hardware not included, refer to installation manual for recommendations.
  3. CBU is Officially Licensed by USPS: License#CDSEQ-08-B-0012