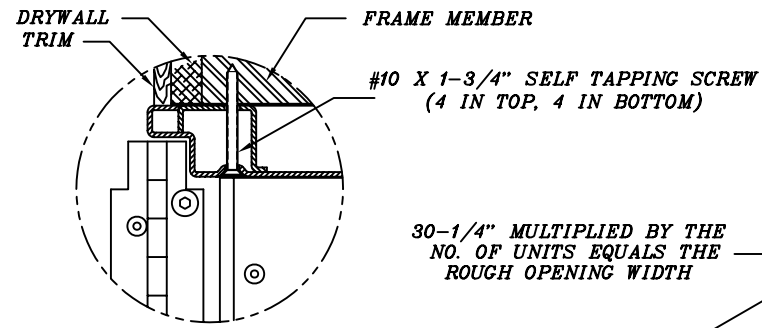


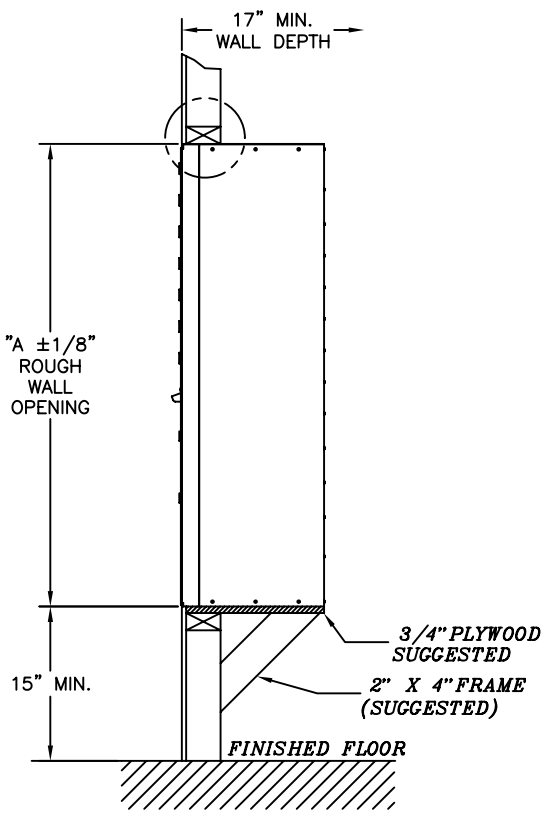
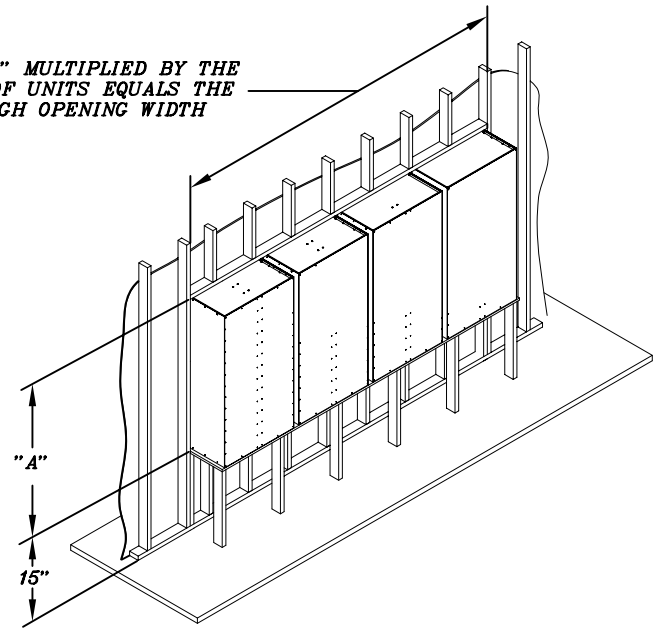
ROUGH WALL OPENING

| UNIT SIZE | PRODUCT NO. | ELEVATION DIMENSION "A ±1/8" |
|------------|-------------|------------------------------|
| TYPE II-16 | N1027866 | 53-7/8" |
| TYPE X-2 | N1027868 | 20" (18" Parcel Locker) |
| TYPE X-1 | N1027867 | 17" (15" Parcel Locker) |

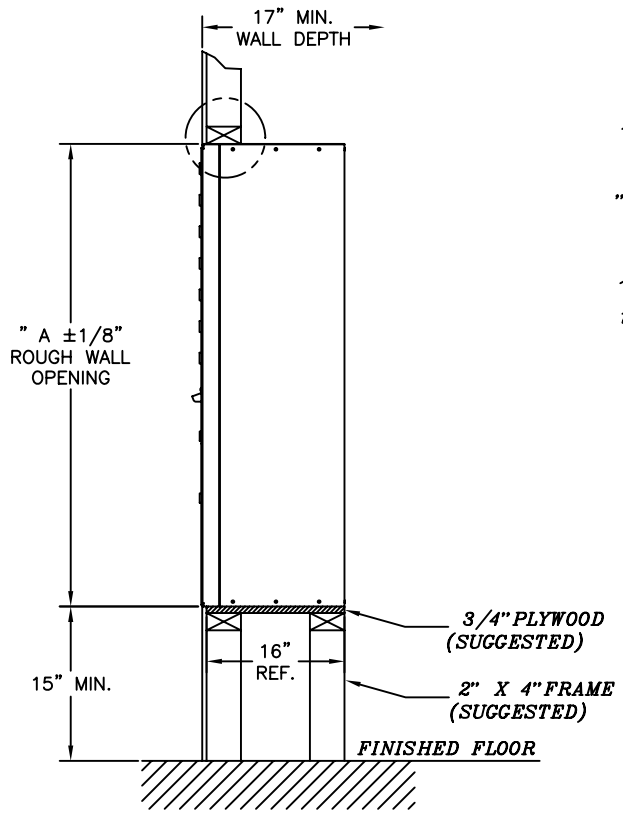
| REVISIONS | | | |
|-----------|---------|---|-------|
| REV. | DATE | DESCRIPTION | CHK'D |
| A | 2/12/08 | Changed 28" MIN. to 15" MIN., Added Parcel Lockers to List Removed TYPE 8-8 from Rough Wall Opening List | D.J. |



30-1/4" MULTIPLIED BY THE NO. OF UNITS EQUALS THE ROUGH OPENING WIDTH



METHOD 1



METHOD 2

NOTE:
REFER TO ARCHITECTS CONSTRUCTION
DRAWING FOR WALL DETAILS.

RECOMMENDED MOUNTING DETAILS FOR FRONT LOADED HORIZONTAL CENTRALIZED MAILBOXES

INSTALLATION NOTES:

- 1.) CUT OPENING AT DESIRED LOCATION TO ROUGH OPENING DIMENSIONS.
- 2.) CONSTRUCT STURDY PLATFORM FOR THE MAILBOX.
- 3.) INSERT MAILBOX INTO THE OPENING, SET ON TOP OF THE PLATFORM. SHIM IF NECESSARY FOR GATES TO OPEN AND CLOSE FREELY.
- 4.) INSTALL AND TIGHTEN MOUNTING SCREWS (4 ON TOP, 4 ON THE BOTTOM).
- 5.) INSTALL NEXT GROUP OF BOXES (IF DESIRED) SAME AS ABOVE
- 6.) INSTALL EDGE TRIM (NOT SUPPLIED) IF DESIRED.

THIS DRAWING IS THE PROPERTY OF POSTAL PRODUCTS UNLIMITED, INC. THIS DRAWING IS FURNISHED WITH THE EXPRESS AGREEMENT THAT THE DRAWING AND INFORMATION THEREIN CONTAINED ARE THE PROPERTY OF POSTAL PRODUCTS UNLIMITED, INC. AND CAN NOT BE DISCLOSED OR IN ANYWAY REPRODUCED WITHOUT THE PRIOR WRITTEN CONSENT OF POSTAL PRODUCTS UNLIMITED, INC. ACCEPTANCE OF THIS DRAWING ACTS AS ACCEPTANCE OF THE FOREGOING CONDITIONS.

| | | | | |
|------------------------------|-------------|-----------------|--------------|------------------|
| TOLERANCES (EXCEPT AS NOTED) | SCALE: NONE | DATE: 18APR2005 | AUTOCAD DWG. | DRAWN BY: D.B.J. |
| HOLES= ±0.005 | | | | REVISD: 2-12-08 |
| FRCTIONAL= ±1/16 | | | | |
| DECIMAL= 0.00 ±0.000 | | | | |
| 0.00 ±0.010 | | | | |

| | | | |
|--|-----------------|--------------|------------------|
| Postal Products Unlimited, Inc. 500 W. Oklahoma Ave. Milwaukee, WI, 53207-2649 | | | |
| SCALE: NONE | DATE: 18APR2005 | AUTOCAD DWG. | DRAWN BY: D.B.J. |
| WALL MOUNT CENTRALIZED MAIL RECEPTACLE | | | |
| INSTALLATION METHODS | | | DWG. NO.: B1005B |
| PART NO.: HZ4C-1105 | DWG. NO.: **** | SHEET: 1 OF | |