

# Assembly Instructions For Front Mount, Full Post Option

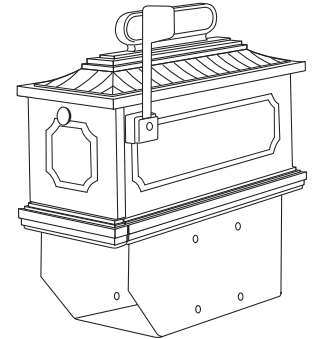
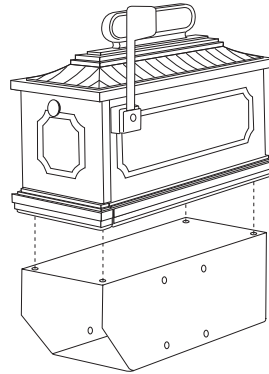


## Tools Needed (not provided)

- 7/16" socket or adjustable wrench (7/16" socket is preferable)
- Phillips screw driver
- No Drilling is required (all necessary mounting holes have been pre-drilled at factory)
- All necessary hardware is provided (i.e. stainless steel nuts & bolts)

1

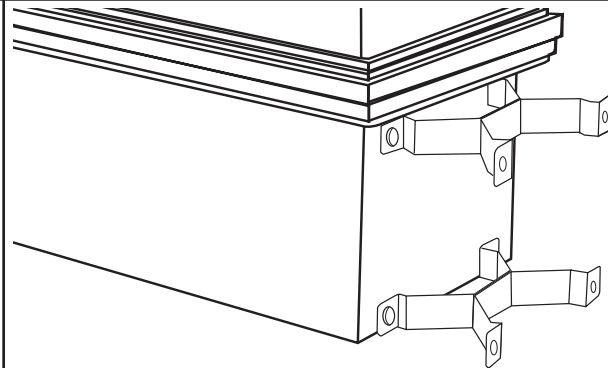
Attach mailboxes to the newspaper tubes using the (4) 1/2" x 1/4-20 bolts and (4) nylock nuts per box. If your mailbox style does not use newspaper tubes, skip ahead to the next step.



2

Fasten the 1812 brackets (X in shape) to the back of the newspaper tube utilizing the (4) 3/4" x 1/4-20 bolts & (4) nylock nuts. Use the (4) existing predrilled holes. When finished, these brackets will wrap half way around the post. If your mailbox option does not use a newspaper tube, the 1812 brackets (X in shape) will attach with (4) predrilled holes on the back of the 1812 mailbox.

*(The Cape Charles option does not use a newspaper tube).*



3

**3-A.)** Attach (1) back bracket to one side of each of the (2) 1812 (X shape) brackets using (2) 2 1/2" x 1/4 - 20 bolts and (2) nylock nuts.

**3-B.)** Bring the entire mailbox unit to the front of the post and fasten the other side of the brackets around the post and to each of the 1812 brackets using the remaining (2) 2 1/2" x 1/4-20 bolts and (2) nylock nuts.

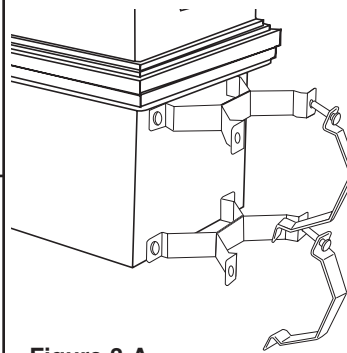


Figure 3-A

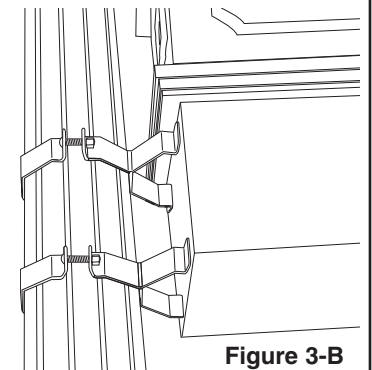


Figure 3-B

4

**4-A.)** Attach the address scroll to the bottom of the newspaper tube using the provided 3/4" x 1/4-20 bolt and (1) nylock nut. The newspaper tube has a predrilled hole that is slotted for easy adjustment for height of the mailbox on the post.

*(The Augusta & the Nevern do not use an address scroll).*

**4-B.)** Use the remaining (1) 3/4" x 1/4-20 bolt to attach the bottom of the address scroll directly to the post. A threaded stainless steel insert is already in the post for this purpose.

*(The Augusta & the Nevern do not use an address scroll).*

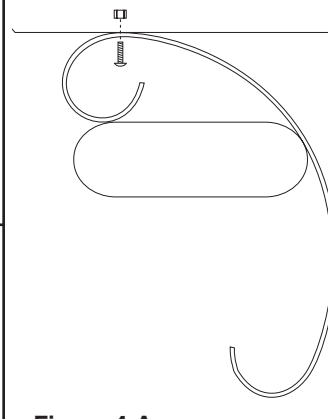


Figure 4-A

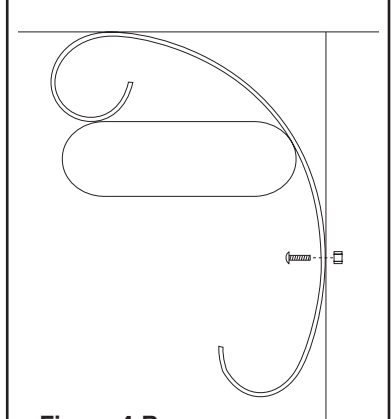


Figure 4-B