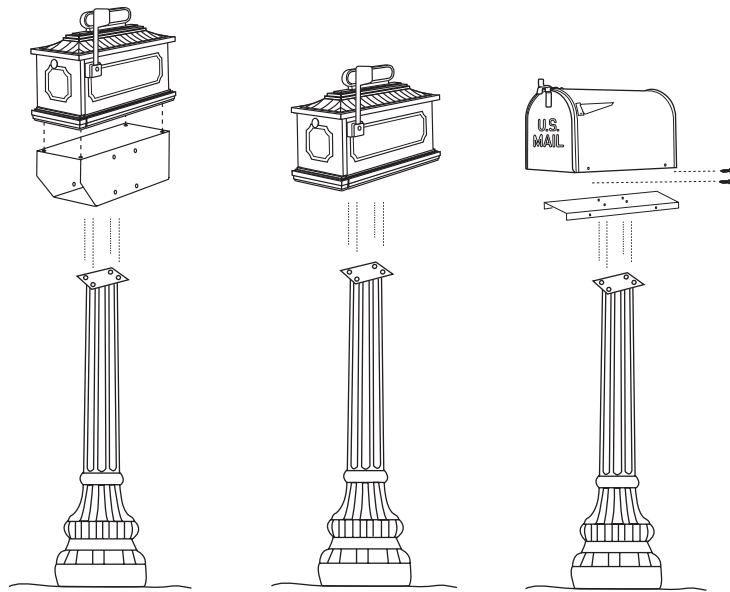


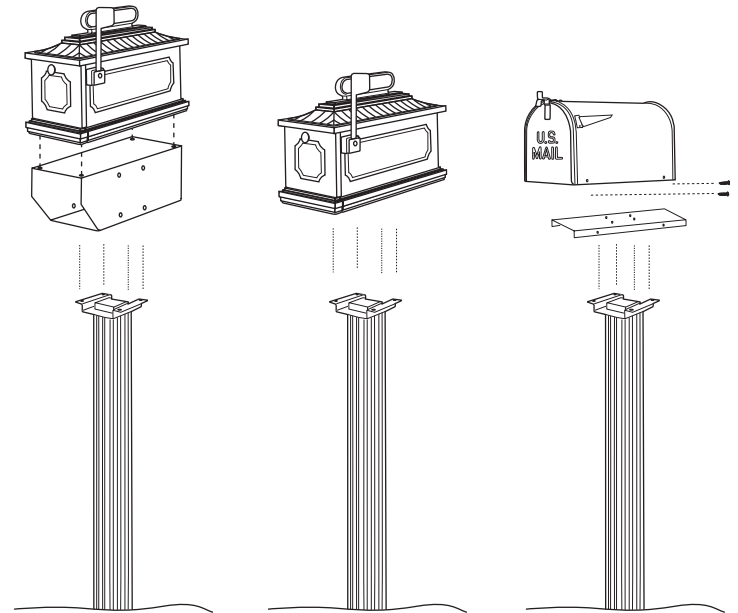
Assembly For Top Mount Single On Washington Post

Tools Required (not provided)

- 7/16" socket or adjustable wrench (7/16" socket is preferable)
- Phillips screw driver
- No Drilling is required (all necessary mounting holes have been pre-drilled at factory)
- All necessary hardware is provided (i.e. stainless steel nuts & bolts)



Everette, Newport, New Hampton, Bailey, Norwich, Wilton



Rosedale, Oak Ridge

1 All above units use a 4.5" x 4.5" mounting plate which will arrive to customer already attached to the top of the cut Washington Post.

2 If your mailbox style uses a newspaper tube, attach mailboxes to the newspaper tubes using the (4) 1/2" x 1/4-20 bolts and (4) nylock nuts per box.

3 Using the (4) pre-drilled holes on the bottom of the newspaper tubes, attach the newspaper tube to the 4.5" x 4.5" mounting plate using the provided 1/2" x 1/4-20 bolts and matching nylock nuts.

4 In case of the Everette:
A black acrylic bracket will be provided with (4) pre-drilled holes. Align with holes on the 4.5" x 4.5" mounting plate and fasten tight, using the provided 1/2" x 1/4-20 bolts and matching nylock nuts.

5 Once the acrylic bracket is secure to the mounting plate, place the rural mailbox atop the bracket. Using the the (4) self tapping phillips screws, fasten through the mounting holes on the side of the rural mailbox directly into the acrylic bracket.

1 All above units use a Universal Mounting Bracket which will arrive to customer already attached to the top of the Senator Post.

2 If your mailbox style uses a newspaper tube, attach mailboxes to the newspaper tubes using the (4) 1/2"x 1/4-20 bolts and (4) nylock nuts per box.

3 Using the (4) pre-drilled holes on the bottom of the newspaper tubes, attach the newspaper tube to the 4.5" x 4.5" bracket using the provided 1/2" x 1/4-20 bolts and matching nylock nuts.

4 In case of the Rosedale:
A black acrylic bracket will be provided with (4) pre-drilled holes. Align with holes on the 4.5" x 4.5" bracket and fasten tight, using the provided 1/2" x 1/4-20 bolts and matching nylock nuts.

5 Once the acrylic bracket is secure to the mounting plate, place the rural mailbox atop the bracket. Using the the (4) self tapping phillips screws, fasten through the mounting holes on the side of the rural mailbox directly into the acrylic bracket.