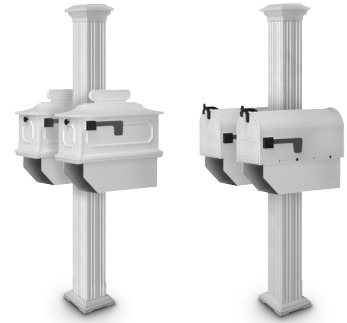


ESTATE SERIES:
Assembly Instruction For Side Mount, Full Post Option

APPLICABLE TO: The Dixon, The Abbot, The Porterfield, & The Lawrence

Tools Needed (not provided)

- 7/16" socket or adjustable wrench (7/16" socket is preferable)
- Phillips screw driver
- No Drilling is required (all necessary mounting holes have been pre-drilled at factory)
- All necessary hardware is provided (i.e. stainless steel nuts & bolts)



1

With Estate series post securely mounted into the ground, locate the (4) stainless steel threaded inserts that are already set into each of the two sides of the post. This is where the Estate Series bracket will mount to.

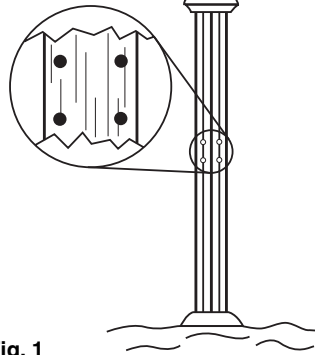


Fig. 1

2

Fasten the "Estate Bracket" to each side of the Estate series post utilizing the (4) 3/4" x 1/4-20 bolts for each bracket, and the preinstalled stainless steel inserts.

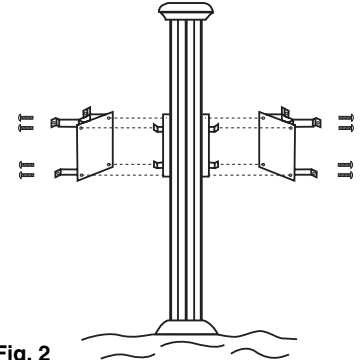
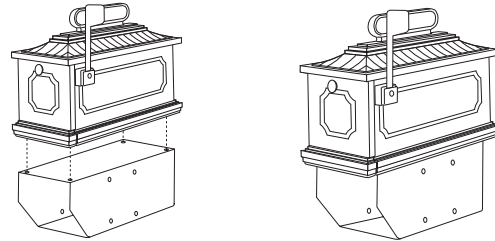


Fig. 2

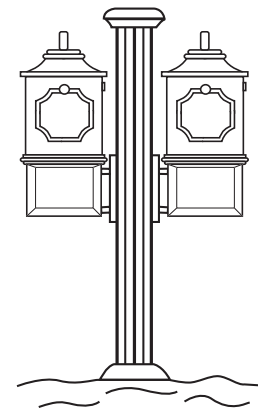
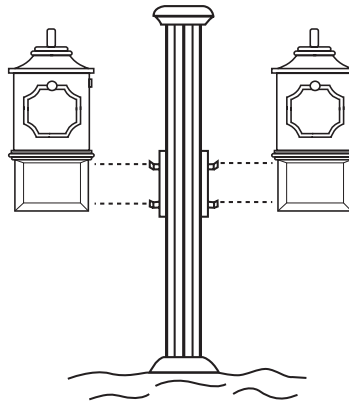
3

Attach the mailboxes to the newspaper tubes using the (4) 1/2" x 1/4-20 bolts and (4) nylock nuts per box & tube.



4

Bring the complete mailbox/tube units to each side of the post and line up the (4) predrilled holes in the side of the newspaper tubes with the (4) holes on each Estate series bracket. Fasten the estate bracket using the (4) 3/4" x 1/4-20 bolts and (2) nylock nuts per each box & tube set.



COMPLETE