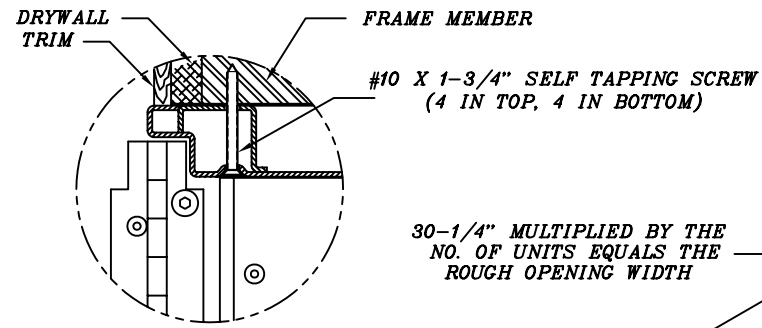


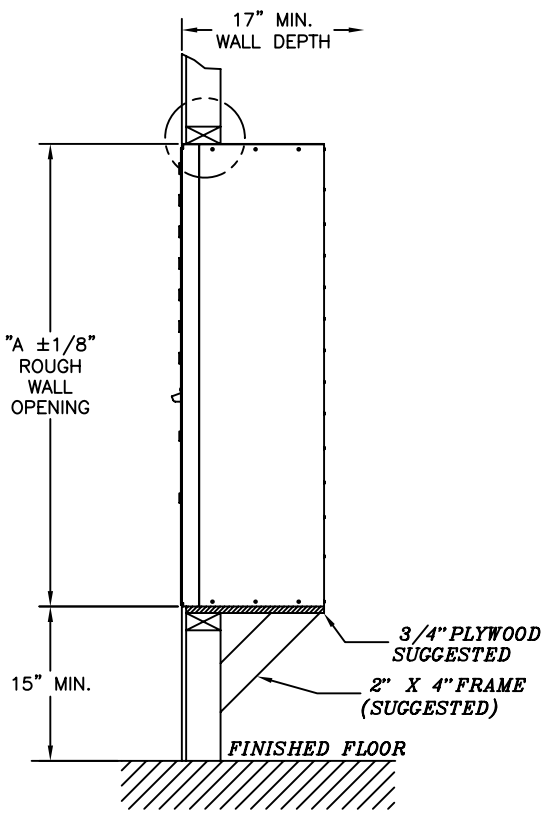
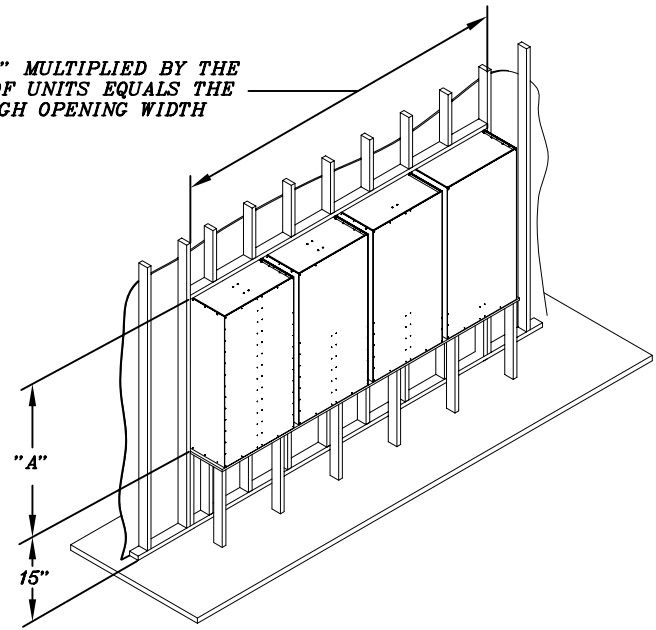
ROUGH WALL OPENING

UNIT SIZE	PRODUCT NO.	ELEVATION DIMENSION "A ±1/8"
TYPE II-16	N1027866	53-7/8"
TYPE X-2	N1027868	20" (18" Parcel Locker)
TYPE X-1	N1027867	17" (15" Parcel Locker)

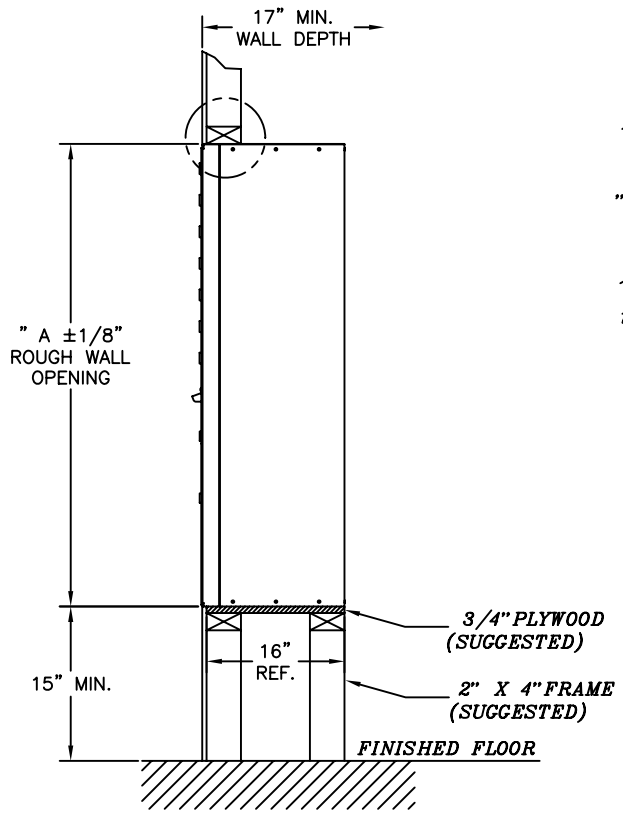
REVISIONS			
REV.	DATE	DESCRIPTION	CHK'D
A	2/12/08	Changed 28" MIN. to 15" MIN., Added Parcel Lockers to List Removed TYPE 8-8 from Rough Wall Opening List	D.J.



30-1/4" MULTIPLIED BY THE NO. OF UNITS EQUALS THE ROUGH OPENING WIDTH



METHOD 1



METHOD 2

NOTE:
REFER TO ARCHITECTS CONSTRUCTION DRAWING FOR WALL DETAILS.

RECOMMENDED MOUNTING DETAILS FOR FRONT LOADED HORIZONTAL CENTRALIZED MAILBOXES

INSTALLATION NOTES:

- 1.) CUT OPENING AT DESIRED LOCATION TO ROUGH OPENING DIMENSIONS.
- 2.) CONSTRUCT STURDY PLATFORM FOR THE MAILBOX.
- 3.) INSERT MAILBOX INTO THE OPENING, SET ON TOP OF THE PLATFORM. SHIM IF NECESSARY FOR GATES TO OPEN AND CLOSE FREELY.
- 4.) INSTALL AND TIGHTEN MOUNTING SCREWS (4 ON TOP, 4 ON THE BOTTOM).
- 5.) INSTALL NEXT GROUP OF BOXES (IF DESIRED) SAME AS ABOVE
- 6.) INSTALL EDGE TRIM (NOT SUPPLIED) IF DESIRED.

THIS DRAWING IS THE PROPERTY OF POSTAL PRODUCTS UNLIMITED, INC. THIS DRAWING IS FURNISHED WITH THE EXPRESS AGREEMENT THAT THE DRAWING AND INFORMATION THEREIN CONTAINED ARE THE PROPERTY OF POSTAL PRODUCTS UNLIMITED, INC. AND CAN NOT BE DISCLOSED OR IN ANYWAY REPRODUCED WITHOUT THE PRIOR WRITTEN CONSENT OF POSTAL PRODUCTS UNLIMITED, INC. ACCEPTANCE OF THIS DRAWING ACTS AS ACCEPTANCE OF THE FOREGOING CONDITIONS.

TOLERANCES (EXCEPT AS NOTED)	SCALE: NONE	DATE: 18APR2005	AUTOCAD DWG.	DRAWN BY: D.B.J.
HOLES= ±0.005				REVISD: 2-12-08
FRCTIONAL= ±1/16				
DECIMAL= 0.00 ±0.000				
0.00 ±0.010				

Postal Products Unlimited, Inc. 500 W. Oklahoma Ave. Milwaukee, WI, 53207-2649			
SCALE: NONE	DATE: 18APR2005	AUTOCAD DWG.	DRAWN BY: D.B.J.
WALL MOUNT CENTRALIZED MAIL RECEPTACLE			
INSTALLATION METHODS			DWG. NO.: B1005B
PART NO.: HZ4C-1105	DWG. NO.: ****	SHEET: 1 OF	