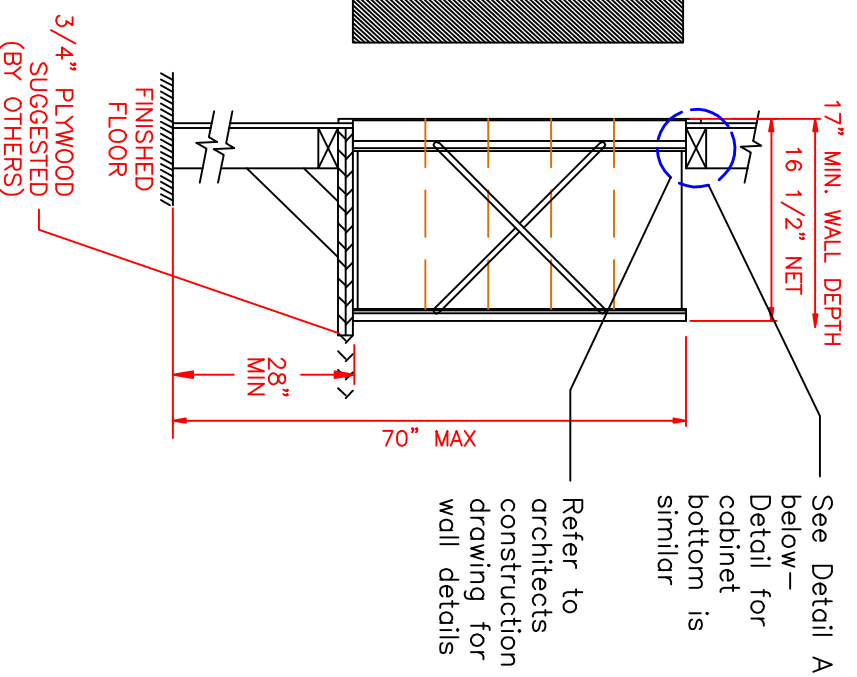
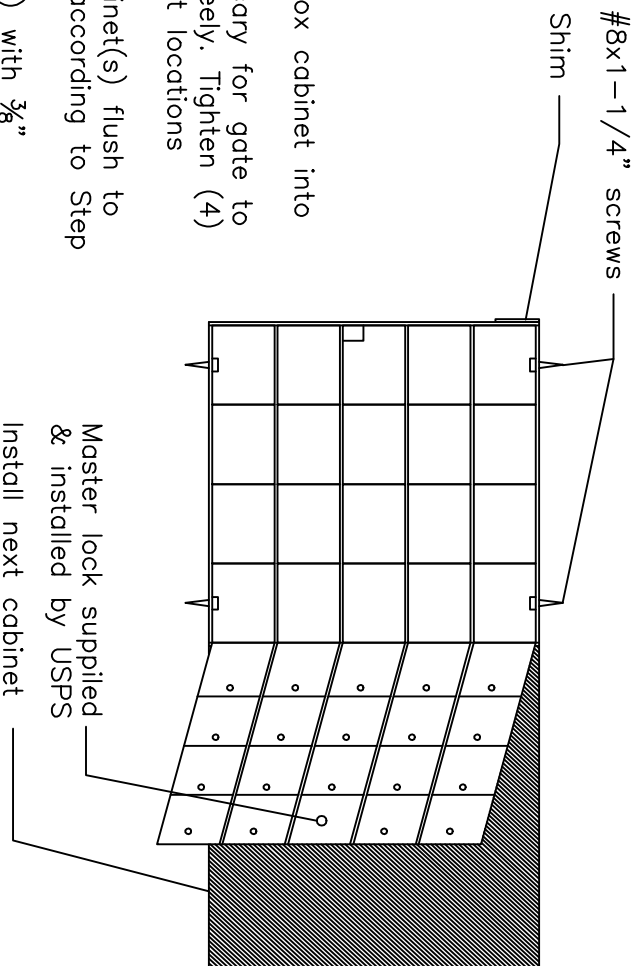
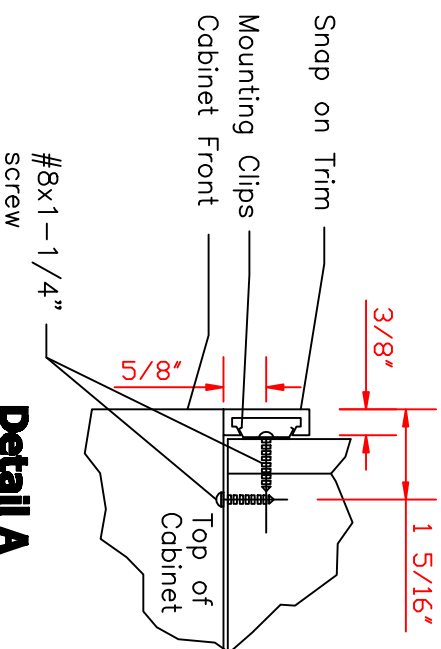
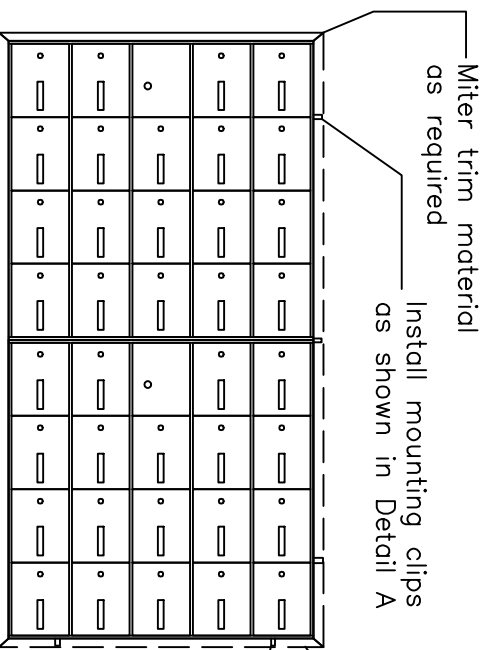


4B+ Series Horizontal F/L Mailbox Installation Cut Sheet

- Installation Notes:
1. Slide first mailbox cabinet into rough opening.
 2. Shim as necessary for gate to open and close freely. Tighten (4) mounting screws at locations shown.
 3. Install next cabinet(s) flush to installed cabinet(s) according to Step #2
 4. Install cabinet(s) with $\frac{3}{8}$ " projection from finished wall when using snap on trim (see snap on trim detail below).



Optional Snap on Trim Installation



- Installation Notes:
1. Screw mounting clips to wall using #8x1-1/4" screws.
 2. Hook one edge of trim over one leg of mounting clip, then snap trim over second leg of clip.

POSTAL PRODUCTS UNLIMITED, INC.™

Postal Products Unlimited, Inc.
 500 W. Oklahoma Ave.
 Milwaukee, WI 53207-2649
 www.postalproducts.com
 (800) 229-4500

Detail A